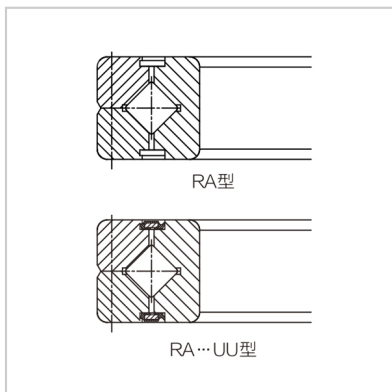
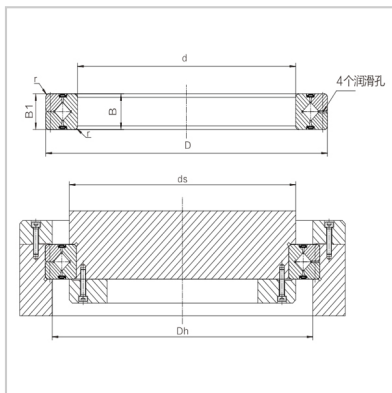


Cross roller bearings

RA-RA8008



| | |
|-----------------|--------|
| Nominal model : | RA8008 |
|-----------------|--------|

Main dimensions (mm) :

| | |
|--------------------------------|-----|
| d : | 80 |
| D : | 96 |
| B : | 8 |
| Roller pitch diameter Dpw : | 87 |
| Chamfered r min : | 0.5 |

Shoulder size (mm) :

| | |
|------|------|
| ds : | 83.5 |
| Dh : | 90.5 |

Basic rated load (radial) :

| | |
|----------|------|
| Cr kN : | 6.37 |
| C0r kN : | 11.3 |

Weight :

| | |
|------|------|
| Kg : | 0.11 |
|------|------|

: