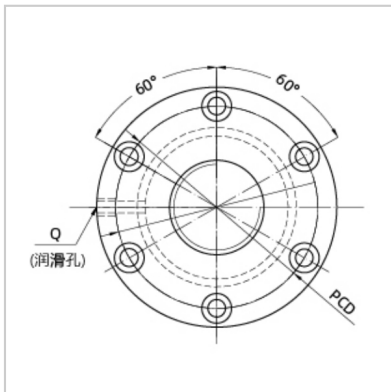
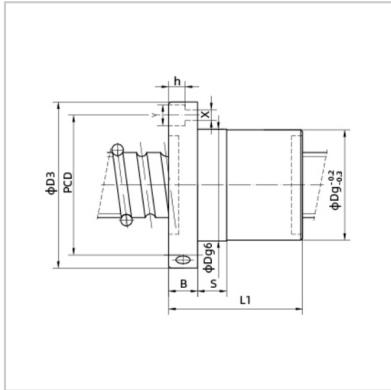


Ball screw

BBFS-BBFS3206-2



| | |
|------------------------------------|------------|
| Nominal model : | BBFS3206-2 |
| Screw size : | |
| Outer diameter of lead screw : | 32 |
| Bottom diameter of rolling track : | 29 |
| Lead the way : | 6 |
| Steel ball size : | 3.969 |
| Number of cycles : | 2 |
| Rated load (kgf) : | |
| Dynamic load : | 1315 |
| Static load : | 2651 |
| Nut : | |
| Dg6 : | 50 |
| L1 : | 65 |
| Flange : | |
| D3 : | 82 |
| B : | 13 |
| PCD : | 67 |
| Coordination : | |
| S : | 10 |
| Oil hole : | |
| Q : | M6X1P |
| Screw hole : | |
| X : | 7 |
| Y : | 12 |
| h : | 7 |
| Rigidity : | |
| kgf/μm : | 44 |

:

