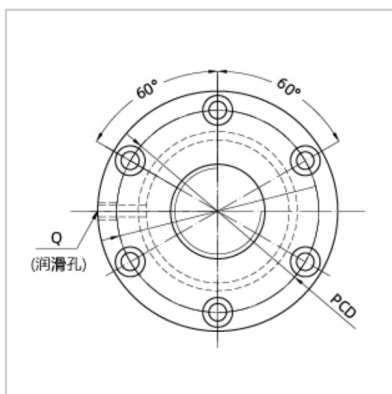
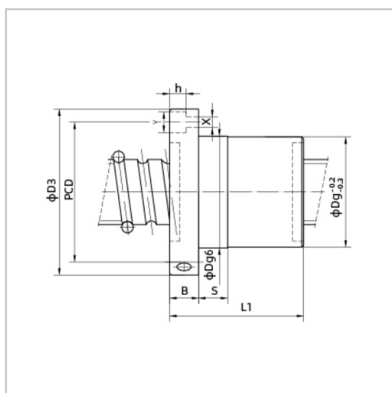


Ball screw

BBFS-BBFS2004-2



| | |
|------------------------------------|------------|
| Nominal model : | BBFS2004-2 |
| Screw size : | |
| Outer diameter of lead screw : | 20 |
| Bottom diameter of rolling track : | 17.8 |
| Lead the way : | 4 |
| Steel ball size : | 3 |
| Number of cycles : | 2 |
| Rated load (kgf) : | |
| Dynamic load : | 683 |
| Static load : | 1121 |
| Nut : | |
| Dg6 : | 36 |
| L1 : | 49 |
| Flange : | |
| D3 : | 62 |
| B : | 11 |
| PCD : | 48 |
| Coordination : | |
| S : | 10 |
| Oil hole : | |
| Q : | M6X1P |
| Screw hole : | |
| X : | 5.8 |
| Y : | 10 |
| h : | 6 |
| Rigidity : | |
| kgf/μm : | 27 |

:

